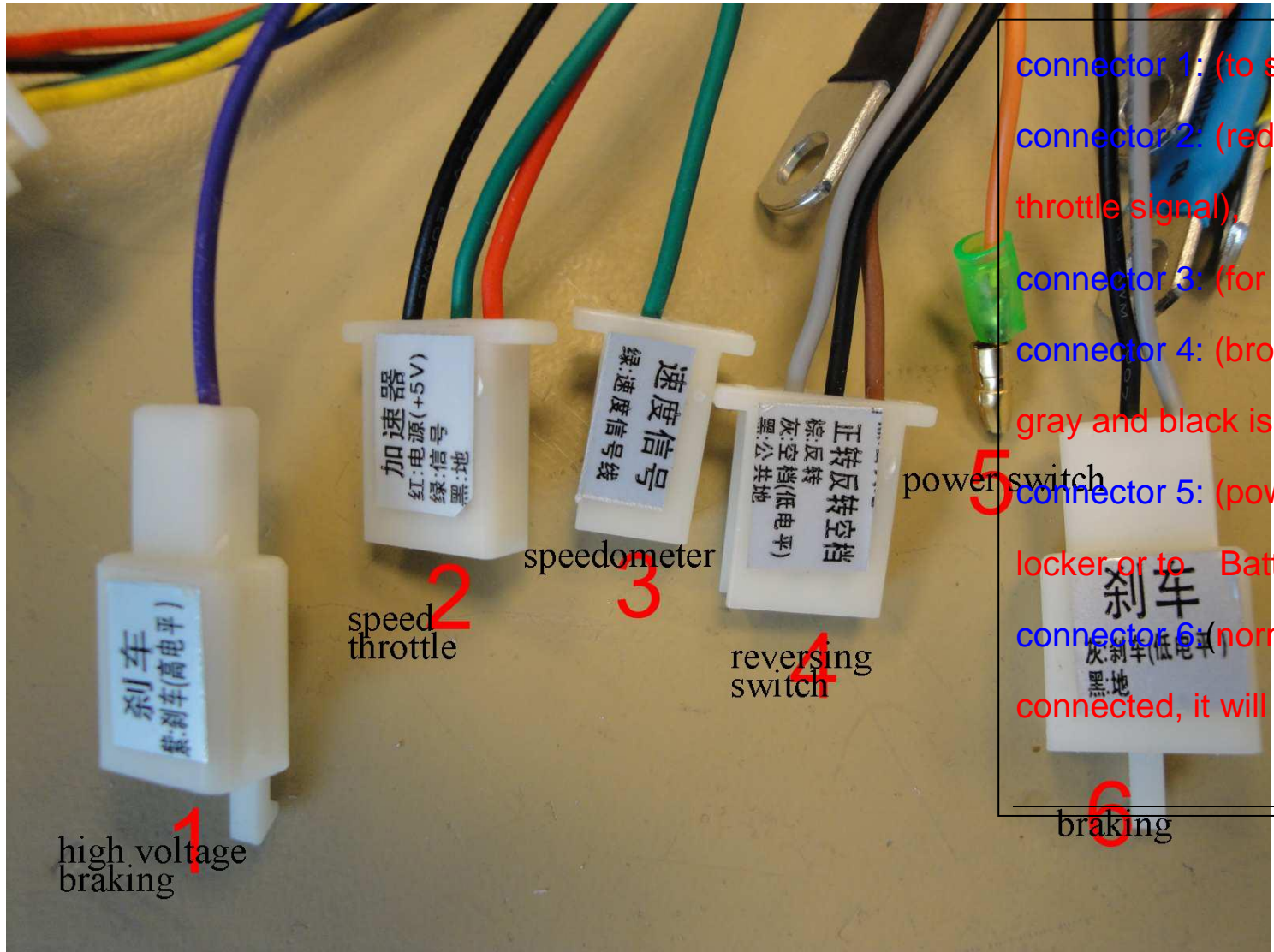


350w to 1800w brushless trike controller wires guide.

wire color	white	blue	black	red	green	black	brown	black	gray	green	black	red	blue	green	yellow	black	red	yellow	blue	green	black	red	orange	
wire function	speed limitation	PAS(Pedelec)	battery “+”	battery “-”	speedometer	GND	reverse switch	battery “-”	brake wire(lower voltage)	throttle singal	battery “-”	battery“+”(+5V)	hall wire · C	hall wire B	hall wire · A·	battery “-”	battery“+” (+5V)	motorA phase	motor C phase	motor B phase	battery “+”	battery“+”	power switch	
		3	2	1	2	1	2	1	3	2	1	3	2	1	6	5	4	3	1	1	1	1	1	1
connector's introduction	SM2P plug each other																							
		black SM-3P	white 2.8簧	white 2.8簧	white 2.8片	white 2.8簧	white 2.8簧	white 2.8簧	2.5-6 接线片	φ4 头														

The actual controller wires connector in photo, this will help you a lot.



high voltage
braking 1

speed
throttle 2

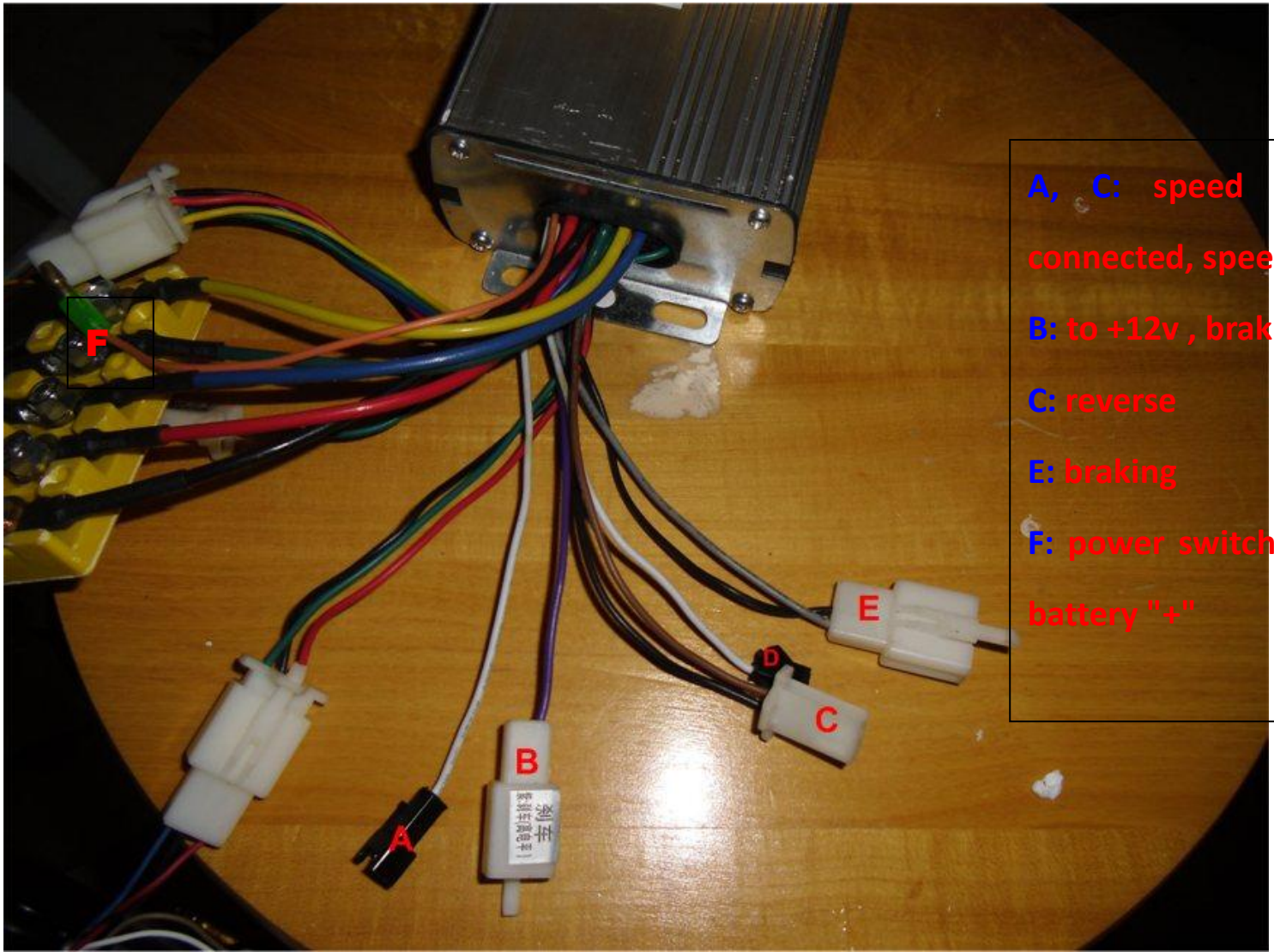
speedometer 3

reversing
switch 4

power switch 5

braking 6

connector 1: (to supply +12v for braking),
connector 2: (red: +5v, black: GND, blue:
throttle signal),
connector 3: (for speedometer if you have),
connector 4: (brown and black is for reverse,
gray and black is for neutral position),
connector 5: (power switch wire to power
locker or to Battery "+"),
connector 6: normal braking, if two wires
connected, it will power off the motor)



A, C: speed limit, if this to wires connected, speed will be lower

B: to +12v , braking

C: reverse

E: braking

F: power switch wire, to power locker or battery "+"

<http://www.czbrushlessmotors.com> offers kinds of ebike conversion kits and [brushless hub motors](#), brushless dc mtors.

<http://www.uumotor.com> provides kinds of bldc motors, electric trike motors, special customized motors.

<http://shop.uumotor.com> , UU motor online shop for kinds of electric motors.